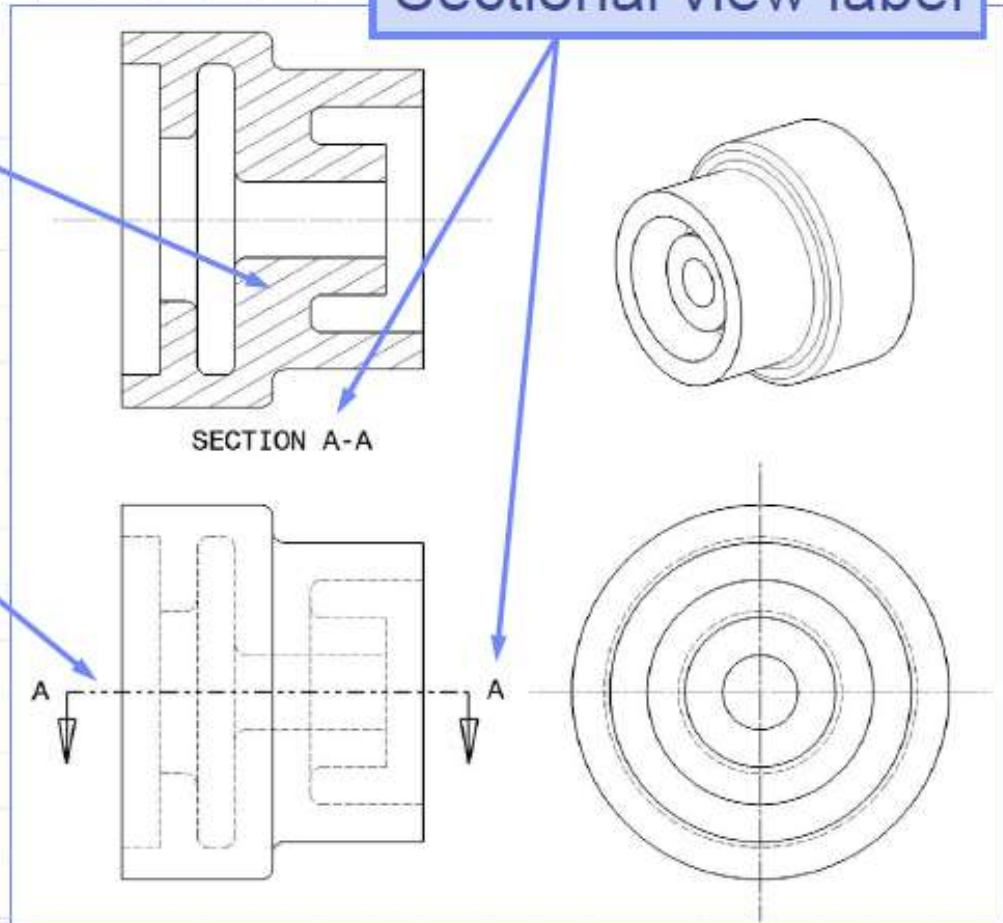


# Section Example

Notice how the cut material is shown.

Notice how the cutting plane is indicated.

Sectional view label



## Lines Used in Section Views

- **Cutting Plane Line:** Used to show where the object is being cut.

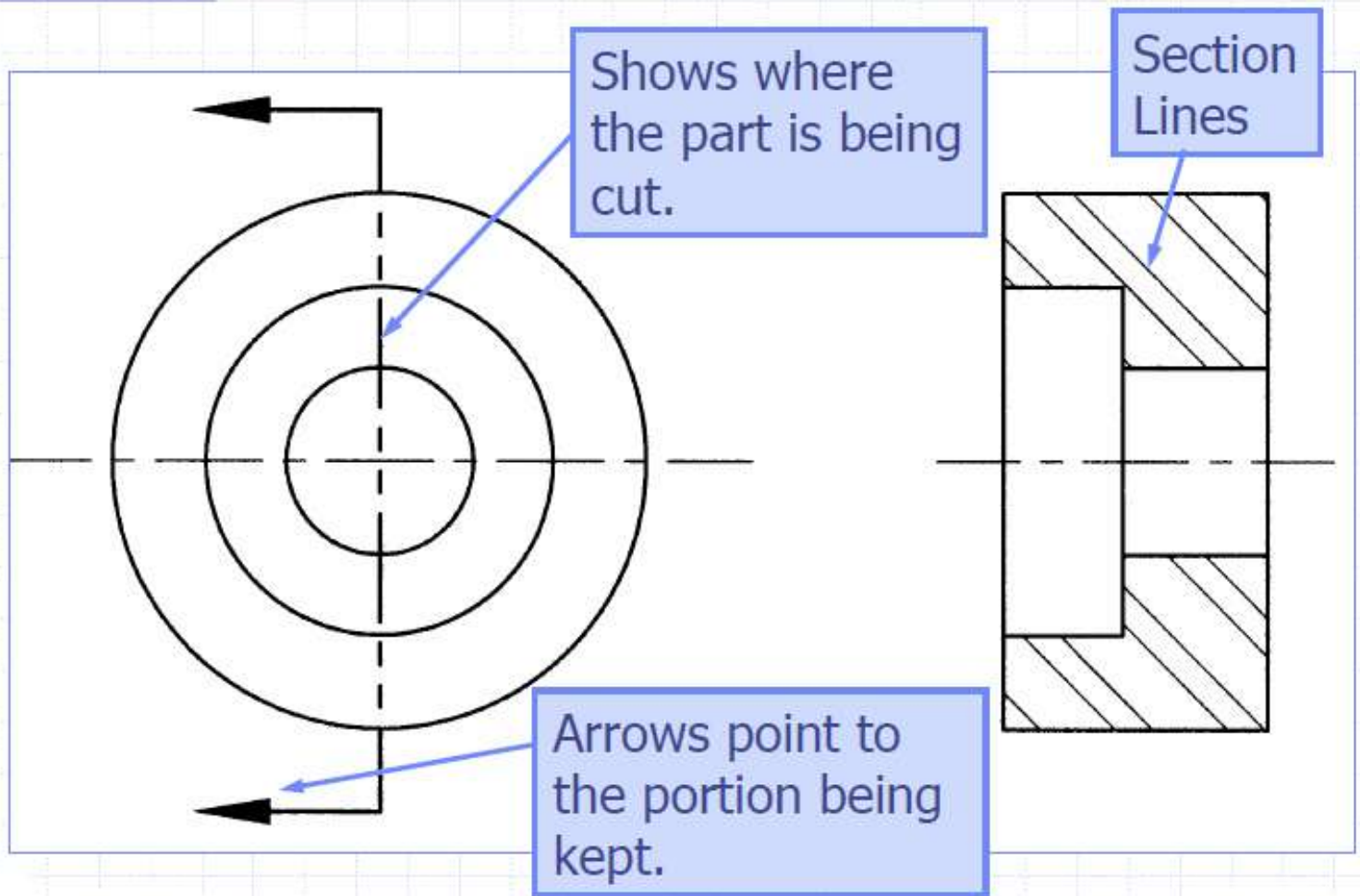


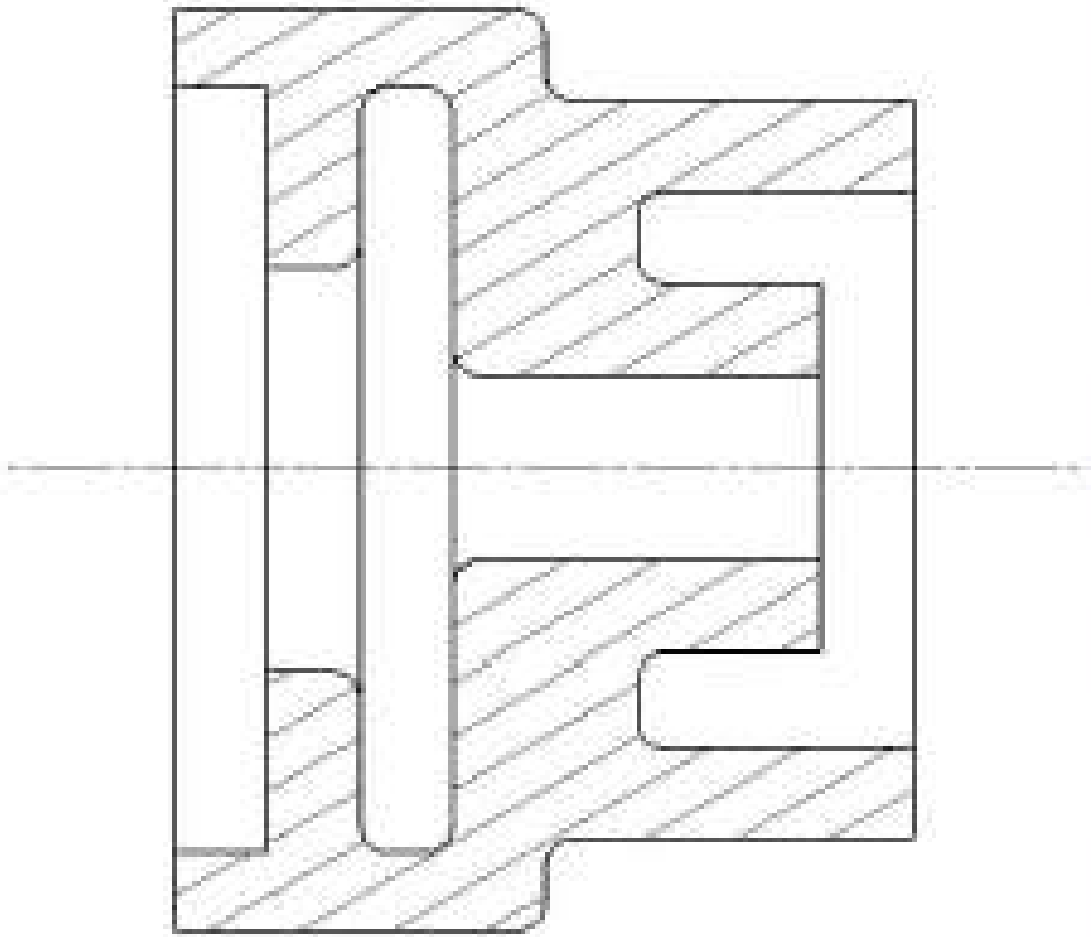
Used for long distances



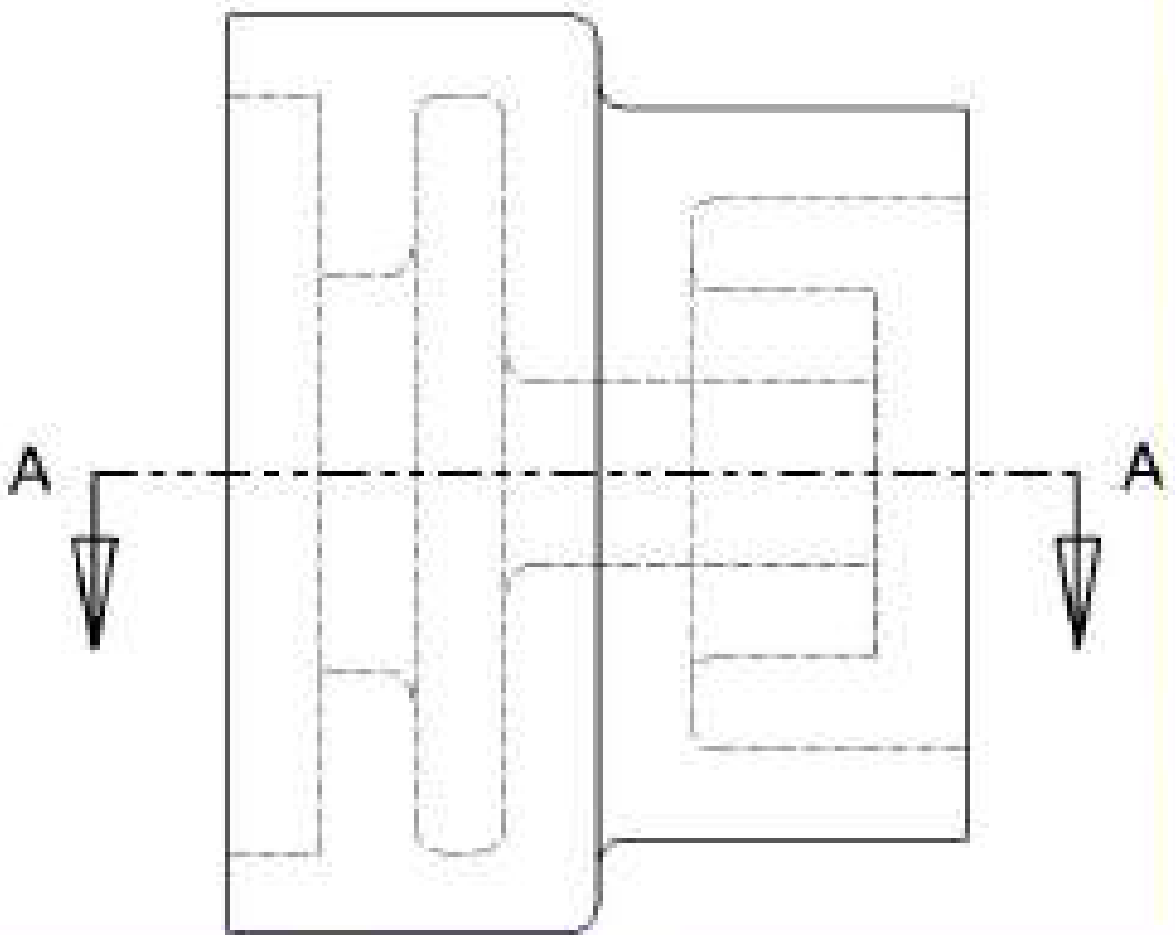
Used for short distances

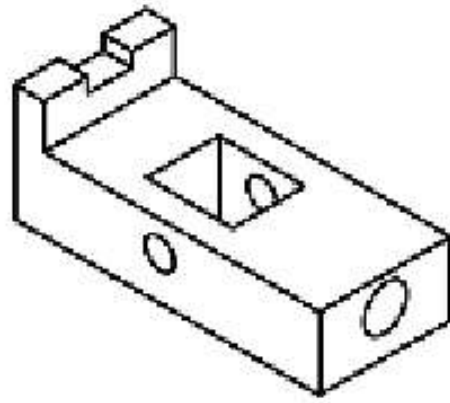
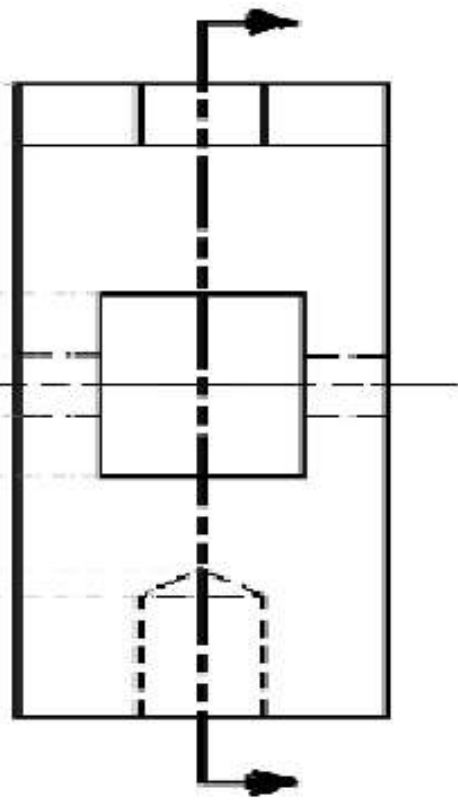
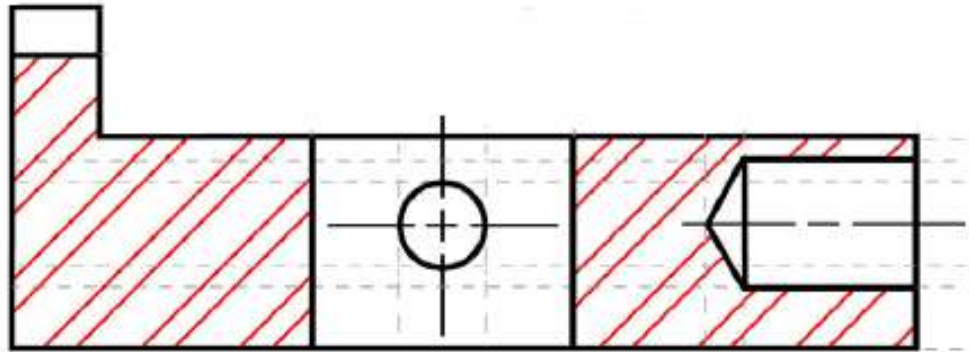
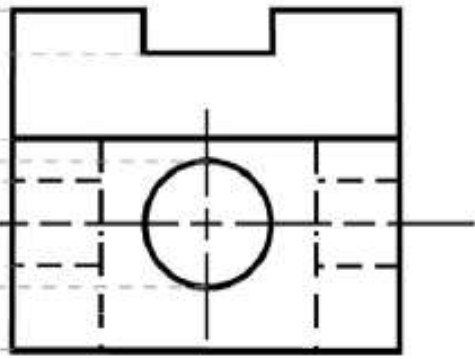
# Lines Used in Section Views

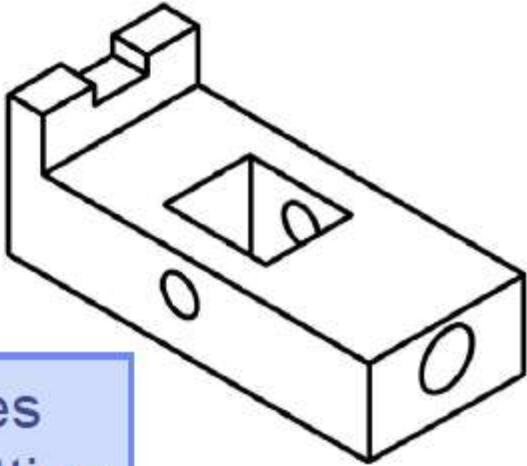




SECTION A-A







Section lines are bounded by visible lines

Visible features behind the cutting plane are shown.

